

INSTRUCTION MANUAL :  
443-4000  
443-4005



# INSTRUCTION MANUAL

**SLOW COOKER**  
**REF : 443-4000**  
**443-4005**

---



443-4000

443-4005

**To ensure proper use of this appliance and your safety, please read the following instructions completely before operating this appliance.**

English – Original

L2G SAS 17, AVENUE DU 24 AOÛT 1944  
BP90690-69969 CORBAS CEDEX  
TÉL. : +33(0)4 72 23 23 98 FAX : +33(0)4 72 23 23 99



## Index

<b>Safety instructions</b>	-	<b>3</b>
<b>Technical specifications</b>		<b>4</b>
<b>Operation</b>		<b>5</b>
<b>Circuit diagram</b>		<b>6</b>
<b>Cleaning</b>		<b>6</b>
<b>Maintenance</b>		<b>6</b>
<b>Exploded view and spare parts list</b>		<b>7</b>
<b>Standards and directives</b>		<b>11</b>
<b>Machine and packaging disposal</b>		<b>11</b>



## **1. SAFETY INSTRUCTIONS**

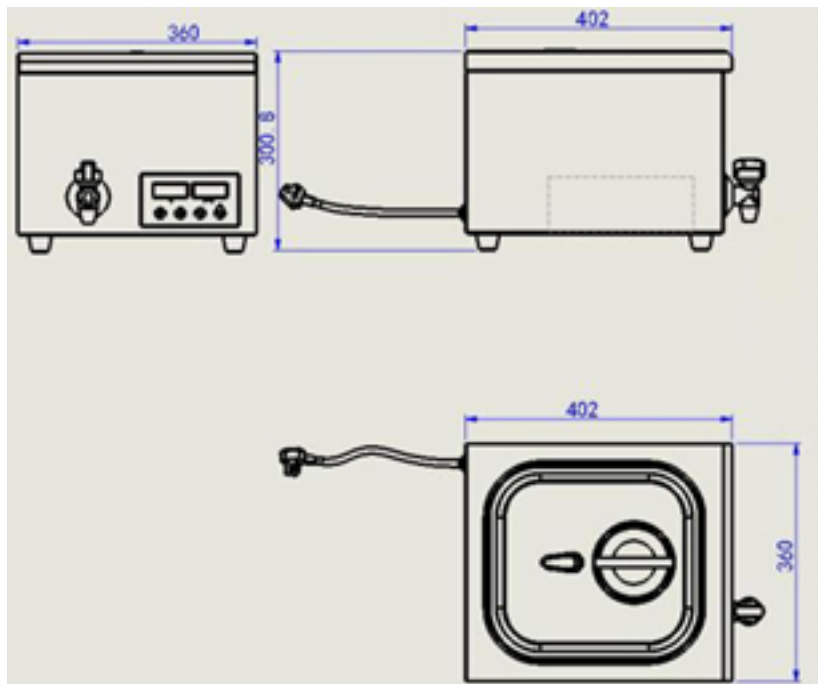
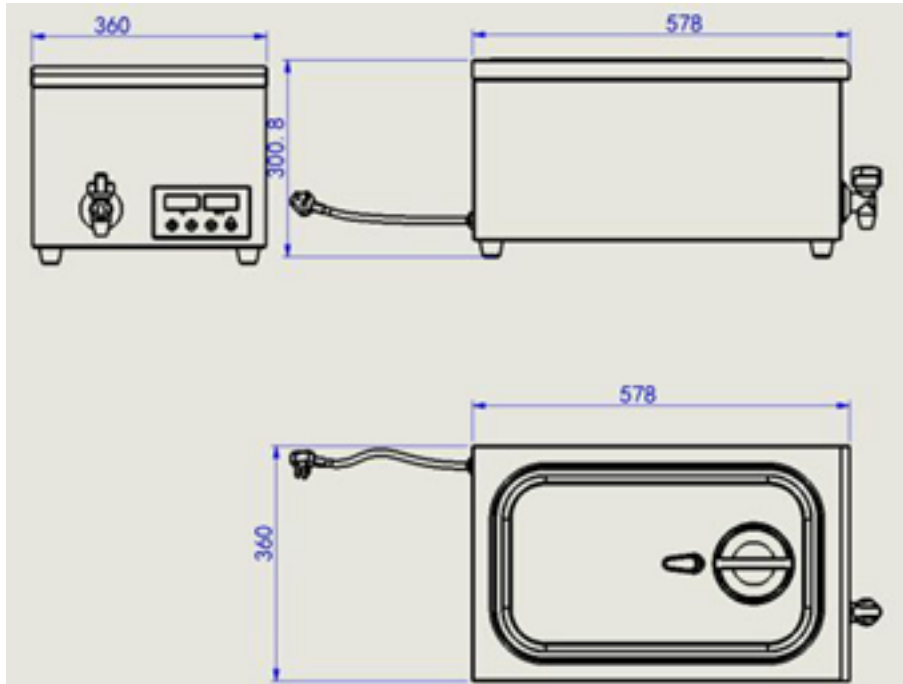
- For your safety, do not store or use gasoline or other flammable vapors or liquids in the vicinity of this or any other appliances. Keep the area free and clear of combustible.
- Improper installation, adjustment, alteration, service or maintenance can cause property damage, injury, or death. Read the installation operating and maintenance instructions thoroughly before installing, or servicing this equipment.
- Instructions must be posted in a prominent location. All safety precautions must be taken in the event the user smells gas.
- These models are designed, built, and sold for commercial use only. If these models are positioned so the general public can use the equipment, make sure that cautions, warnings, and operating instructions are clearly posted near each unit so that anyone using the equipment will use it correctly and not injure themselves or harm the equipment.
  
- A factory authorized agent should handle all maintenance and repair. Before doing any maintenance or repair, contact your authorized service representative.
- This product is intended for commercial use only.
- Installation must comply with all local codes.

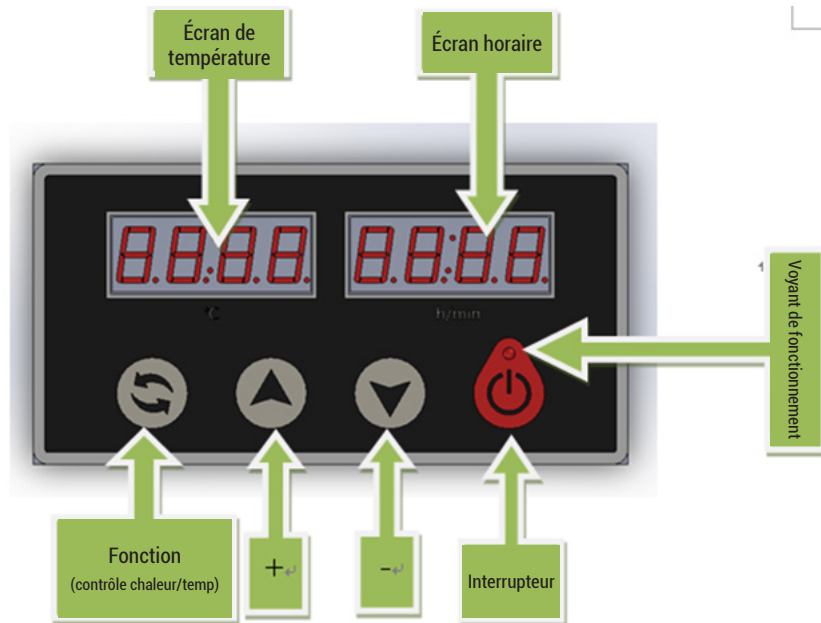
**DANGER:** This warns of imminent hazard, which could result in serious injury or death.

**WARNING:** This refers to a potential hazard or unsafe practice, which could result in serious injury or death.

**2. TECHNICAL SPECIFICATIONS**

Model	Voltage	Power	Product size (mm)	Packing size (mm)
443-4000	230V/50HZ	700W	360x578x300mm	670x410x335mm
443-4005	230V/50HZ	500W	360x402x300mm	490x410x340mm

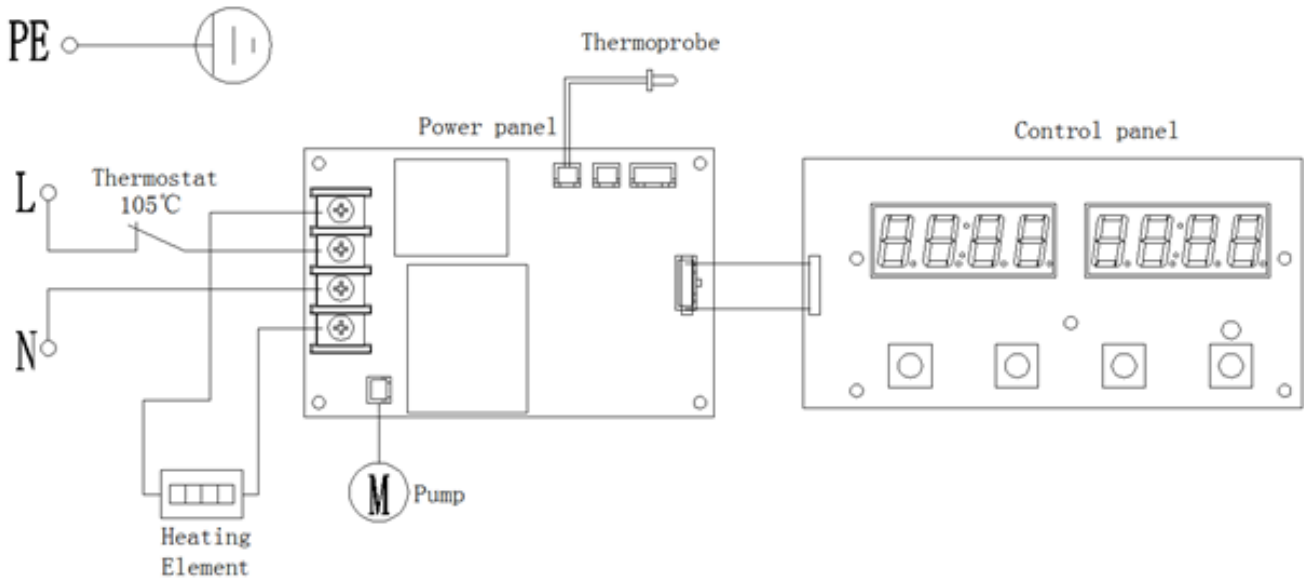




### 3. OPERATION

1. Remove all packaging and wipe the product body and food rack with a damp cloth
2. Pack the food with the vacuum packaging machine and put them into the food rack (adjusted according to the actual situation)
3. Operate the ,according to the operation instructions (Figure two)
4. After the food is finished, open the drainage valve on the left and remove the power plug

#### 4. CIRCUIT DIAGRAM



#### 5. CLEANING

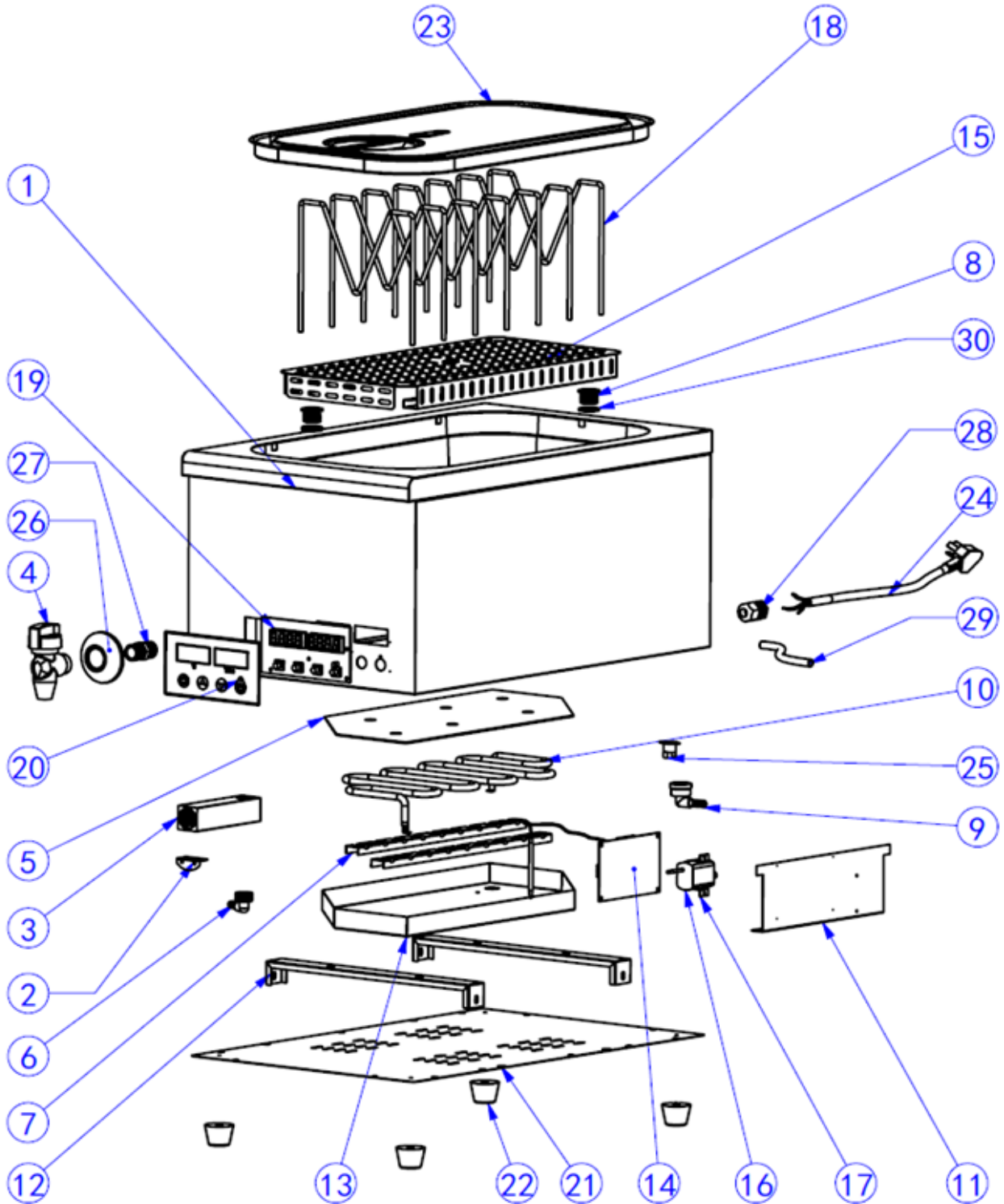
1. When cleaning and maintenance, the power should be cut off to prevent accidents.
2. After the work is finished every day, use a wet towel with a non-corrosive cleaner diluent to clean the surface of the device and the power cord. Do not flush the surface directly with water to avoid damaging the device's performance.
3. When not use for a long time, the machine should be cleaned and stored in a well-ventilated, non-corrosive atmosphere.

#### 6. MAINTENANCE

The maintenance is limited to checking the mains plug, which must be checked for integrity before each use  
And to the tightly turned spiral handles, as well as to the test of all screws (covers) for a tight fit.  
If the unit malfunctions, contact your dealer or the address at the end of this manual.

**7. EXPLODED VIEW AND SPARE PARTS LIST**

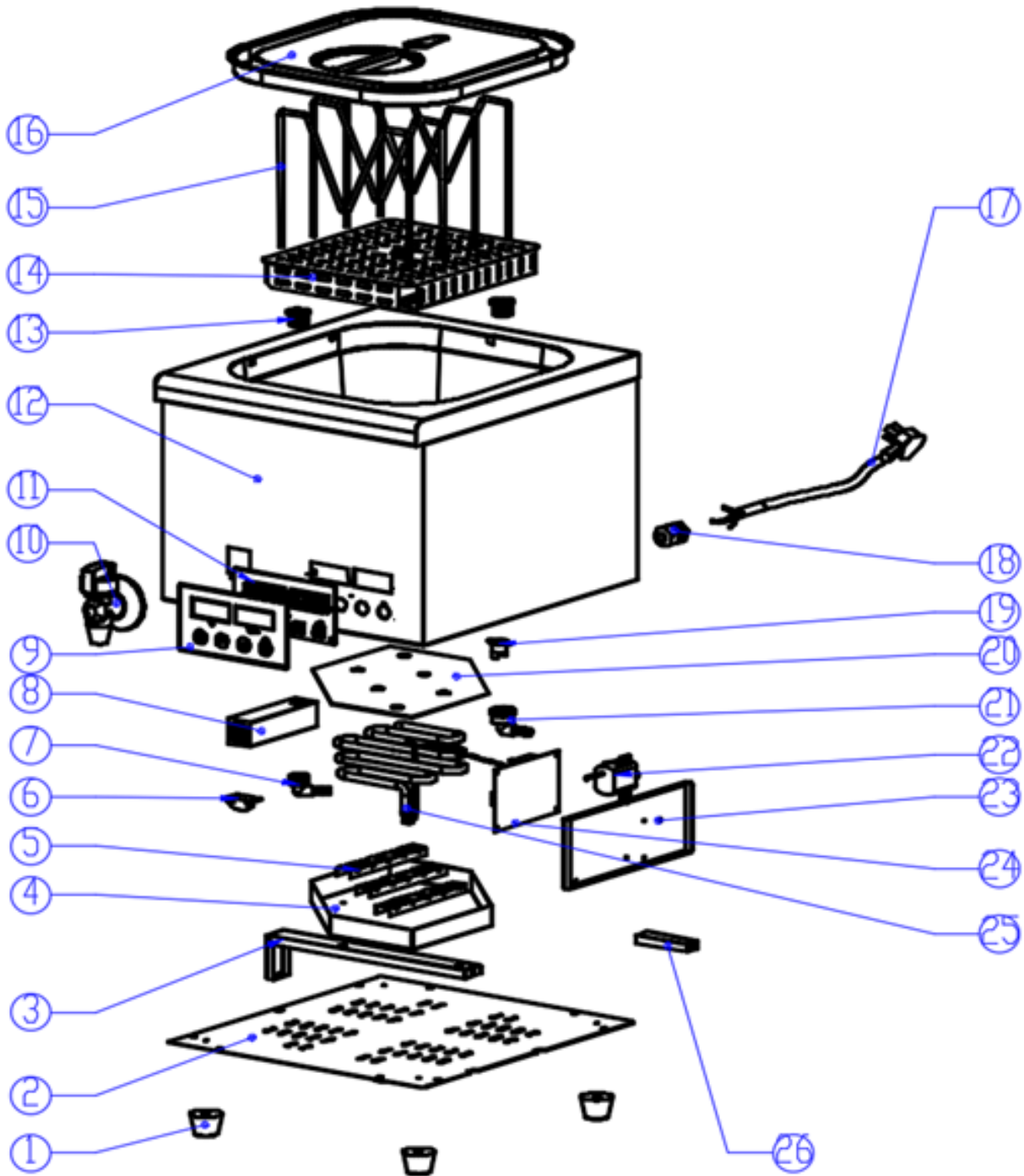
MODEL : 443-4000



N°	Description	Ref	Qty
1	GN pan assembly		1
2	Runner support		1
3	Runner		1
4	Oil drain valve new		1
5	Thermal aluminum plate		1
6	4 points tooth tower elbow		1
7	Heating tube fixing plate		2
8	4 points plug outer teeth		2
9	4 points inside the tooth pagoda elbow		1
10	Heating pipe	443-4000-10	1
11	Power board bracket		1
12	Heating tube support plate		2
13	Heating pipe insulation cover		1
14	Power Board	443-4000-14	1
15	Spacer		1
16	Water pump	443-4000-16	1
17	Water pump bracket		1
18	Spacer		7
19	Control panel	443-4000-19	1
20	Control panel pvc		1
21	Bottom plate		1
22	Rubber feet 30X25X25	443-4000-22	4
23	European 1 point 1 200 mm cover		1
24	Power cord 3X1.5	443-4000-24	1
25	Temperature limiter	443-4000-25	1
26	Ball valve decorative cover		1
27	4 points external teeth		1
28	Power cord buckle	443-4000-28	1
29	Silicone tube		1
30	Apron		3



MODELE : 443-4005



N°	Description	Ref	Qty
1	Rubber feet	443-4005-1	4
2	Bottom plate		1
3	Heating tube cover bracket		1
4	Heat pipe cover		1
5	Heating tube bracket		3
6	Draft tube bracket		1
7	External teeth 4 points pagoda conversion head		1
8	Draft tube		1
9	Panel sticker		1
10	Polishing oil valve		1
11	Control panel	443-4005-11	1
12	Box		1
13	Plug		2
14	Spacer		1
15	Spacer		5
16	Sealing cap		1
17	Power cable	443-4005-17	1
18	Power lead	443-4005-18	1
19	Temperature limiter	443-4005-19	1
20	Aluminum plate		1
21	Inner tooth 4 points pagoda conversion head		1
22	Water pump	443-4005-22	1
23	Power board bracket		1
24	Power Board	443-4005-24	1
25	Heating pipe	443-4005-25	1
26	Power board reinforcement board		1

## **STANDARDS AND DIRECTIVES**

### **Meaning of crossed out wheeled dustbin:**

Do not dispose of electrical appliances as unsorted municipal waste, use separate collection facilities.

Contact your local government for information regarding the collection systems available.

If electrical appliances are disposed of in landfills or dumps, hazardous substances can leak into the groundwater and get into the food chain, damaging your health and well-being.

When replacing old appliances with new ones, the retailer is legally obligated to take back your old appliance for disposals at least free of charge.

The device complies with current EU standards and directives. If necessary, we will send you the corresponding declaration of conformity.

### **Packaging disposal**

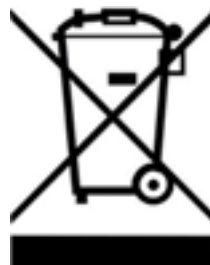
Please separate the packaging materials accordingly and return them to the responsible collection points for recycling and environmental housing.



### **Device disposal**

once the appliance has been used up, dispose of it properly at a collection point for electrical appliances. Electrical appliances do not belong in household waste.

Your responsible administration will inform you about the addresses and opening hours of collection points. This is the only way to ensure that old appliances are properly disposed of and recycled. Thank you very much!





CE